

access

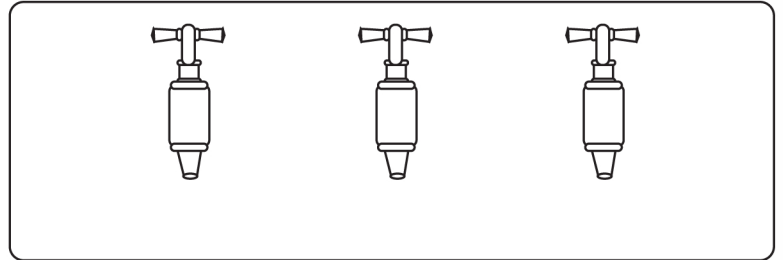
L I G H T I N G

INSTALLATION INSTRUCTIONS

IMPORTANT

Before assembling your access lighting fixture, please make sure that you carefully read through these instruction sheets. Consider having your fixture installed by a qualified licensed electrician.

NOTE: The important safeguards and instructions that appear in this manual are not meant to cover all possible conditions and situations that may occur. It must be understood that common sense, caution and care, are factors that can't be built into any product. These factors must be supplied by the person(s) caring for and operating the fixture.

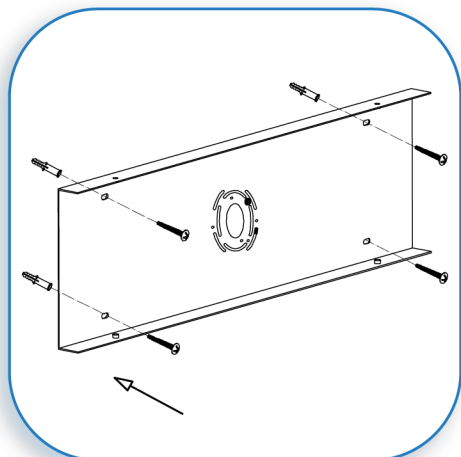


GENERAL INFORMATION

All electrical connections must be in accordance with all ordinances, Local and National Electrical Codes. These fixtures are intended for mounting to a standard 4" x 2 1/2" metal octagon outlet box. The box must be directly supported by the building structure and U.L. Recognized.

STEP BY STEP INSTRUCTIONS

Before starting your installation disconnect the Power by turning off the Circuit Breaker or by removing the fuse at the fuse box. Just turning the light off at the light switch is not sufficient to prevent electrical shock.



COLLECTION

Waterworks

APPLICATION

Wall Mount

MODEL NO.

70061LED

WHAT WE PROVIDE

- Back plate
- Mounting Hardware
- 3 x 1 W LED

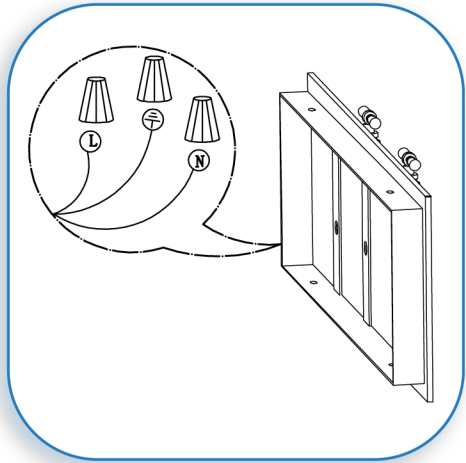
WHAT YOU NEED

- Screwdriver
- Wire Cutters
- Wiring Supplies as Specified by Electrical Code

PREPARE FIXTURE

1

Hold the supplied back plate up the J-box. With a pencil mark the locations of the holes in the back plate. Drill the appropriate size holes, insert the supplied anchors. Gently pull the supply wired through the center of the back plate. Hold the back plate up to the wall. Mount the center of the back plate to the J-Box with the supplied screws. Align the anchors with the holes in the back plate and secure with the supplied anchor screws.

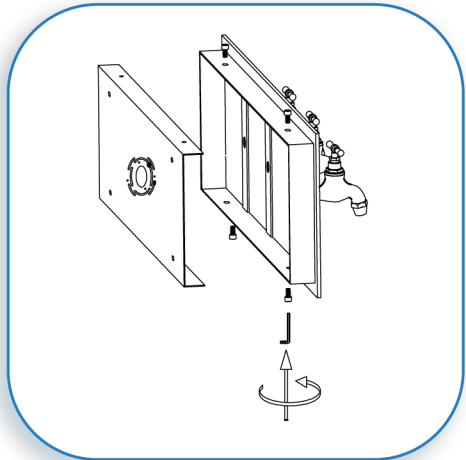


2

CONNECT THE WIRES

Connect the black supply wire to the black fixture wire. Secure with the supplied wire nuts. Connect the white supply wires to the white fixture wire. Secure with the supplied wire nuts. Either wrap the green wire around one of the protruding screws or connect it to the supply ground wire. Secure all wires with U.L. Certified electrical tape (not supplied).

Tuck all wires carefully into the J-Box.



3

MOUNT THE CANOPY

Hold the canopy up to the back plate. Align the holes in the top and the bottom of the canopy with the top and bottom holes in the back plate. Insert the supplied screws and secure by tightening down the screws.

4

RESTORE THE ELECTRICITY AND CHECK THE OPERATION OF YOUR NEW ACCESS FIXTURE