

CRAFTMADE

LIGHTING

Sector #43191-XX-LED/#43192-XX-LED

PLEASE READ AND SAVE FOR FUTURE REFERENCE.

CAUTION

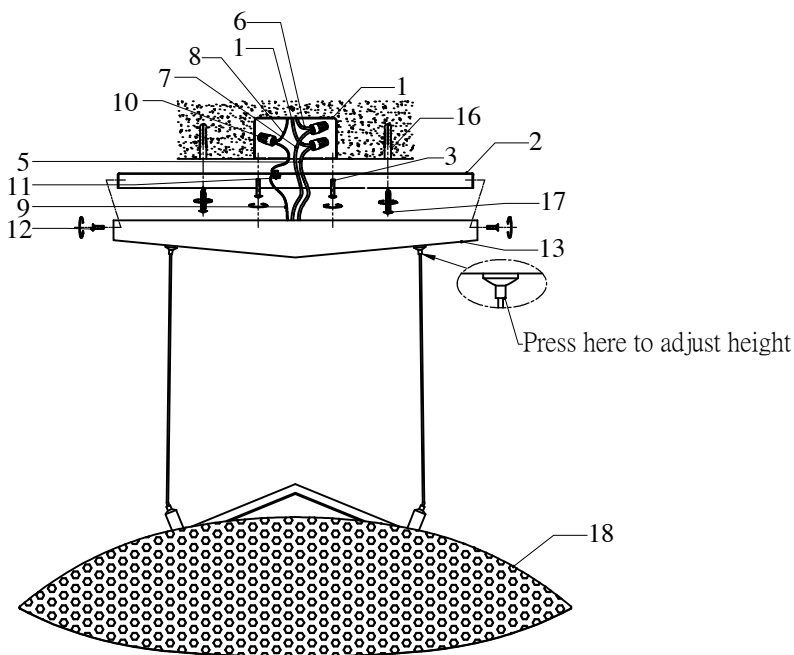
1. Turn off the main power at the circuit breaker before installing the fixture in order to prevent possible shock.
2. All electrical connections must be in accordance with local and National Electrical Code (N.E.C.) standards. If you are unfamiliar with proper electrical wiring connections, obtain the services of a qualified electrician.

GENERAL

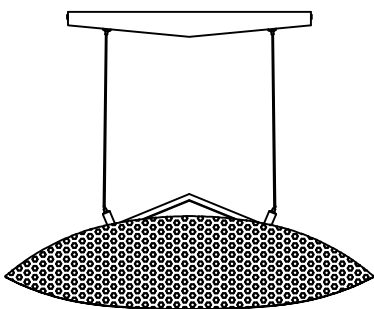
Remove all parts and hardware from the box and make sure that none are missing by referencing the illustrations provided.

Do NOT tamper with or attempt to repair LED component of fixture.

LED CHANDELIER



1. OUTLET BOX (not included)
2. MOUNTING PLATE (pre-attached)
3. OUTLET BOX SCREWS and WASHERS (pre-attached to outlet box)
4. BLACK SUPPLY WIRE (not included)
5. SMOOTH (or BLACK) FIXTURE LEAD WIRE
6. WHITE SUPPLY WIRE (not included)
7. RIBBED (or WHITE) FIXTURE LEAD WIRE
8. SUPPLY GROUND WIRE (not included)
9. FIXTURE GROUND WIRE
10. WIRE CONNECTORS
11. GROUND SCREW (pre-attached)
12. FIXTURE SCREWS
13. CANOPY
15. SWIVEL(pre-attached)
16. MOUNTING PLASTIC
17. MACHINE SCREW
18. LED FIXTURE



Customer Service: 1 (800) 486-4892